

FRESH AIR FOR YOUR LIFE

HOLTOP

Beijing Holtop Air Conditioning Co., Ltd.

Factory address : No. 5 Yard, 7th Guanggu Street, Badaling Economic Development Zone, Yanqing District, Beijing, China

International marketing center

Room 2101, Headquarter Center No. 25, Tian An Hi-Tech Ecological Park, No. 555 Panyu Ave, Guangzhou, China

Tel: 86-20-39388201-8023

Skype: susanwoo08

Website: www.holtop.com

E-mail: info@holtop.com



* Data is subject to changes without notification due to product improvement

HOLTOP



ECO-VENT PRO **PLUS**

Energy Recovery Ventilators



We breathe in
18kg^{*1} of
AIR
a person a day

Holtop is dedicated to
deliver fresh air for your life.
Our aim is to create Total Air Solutions that let you
enjoy perfect Building Air Quality.

 **FOOD**
1.3kg^{*2}
a person
a day

 **WATER**
1.2kg^{*3}
a person
a day

**FRESH AIR IS ESSENTIAL TO IMPROVE BUILDING AIR QUALITY.
WE IMPROVE THE QUALITY OF AIR,
SO YOU CAN ENJOY THE QUALITY OF LIFE.**

FRESH AIR MAKES YOU HEALTHY

FRESH AIR MAKES YOU IMPROVE WORK EFFICIENCY

FRESH AIR MAKES YOU COMFORTABLE

FRESH AIR MAKES YOU SLEEP BETTER

FRESH AIR FOR YOUR LIFE

*1 : Iwao Uchiyama (Department of Occupational Health, National Institute of Public Health) "Air and Human Beings: from the Physiological Viewpoint" (1999) <https://ci.nii.ac.jp/naid/110008447936/>

*2, *3 : Heat illness Prevention (Chapter 3) in "Heat illness Environmental Health Manual 2018", P.32, Figure3-2 by Ministry of the Environment, Government of Japan. http://www.wbgt.env.go.jp/pdf/manual/heatillness_manual_3-1.pdf

Model Descriptions



- 1 ECO-VENT PRO energy recovery ventilator
- 2 Installation type, D for suspended type
- 3 Rated airflow (m³/h), for airflow more than 1000m³/h, H is for a hundred
- 4 Series Code
- 5 C is built in PM2.5 filter, D is without PM2.5 filter
- 6 1 is without bypass, 2 is with bypass.
- 7 No alphabet is standard control, A is for advanced intelligent control, B is for black cool intelligent control

ECO-VENT PRO PLUS
Energy Recovery Ventilators



ERVQ-D150-2A1 / ERVQ-D250-2A1 /ERVQ-D350-2A1
ERVQ-D150-2B1 / ERVQ-D250-2B1 /ERVQ-D350-2B1



Fresh air supply



Stale air exhaust



Physical filtering



Energy recovery



Slim design



EPS structure



Durable



Good insulation



Easy access



Silent operation



Energy saving



Smart control



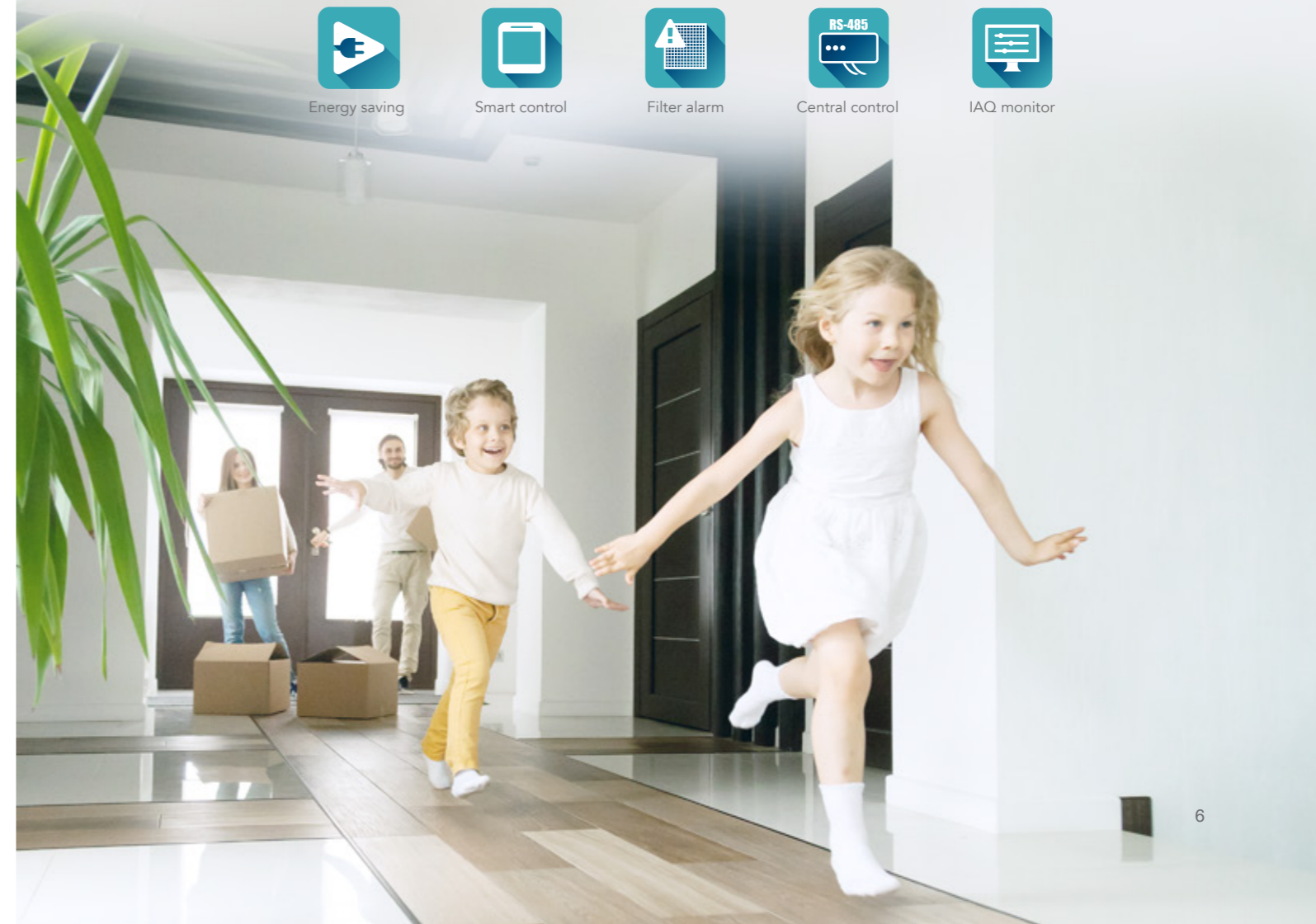
Filter alarm



Central control



IAQ monitor



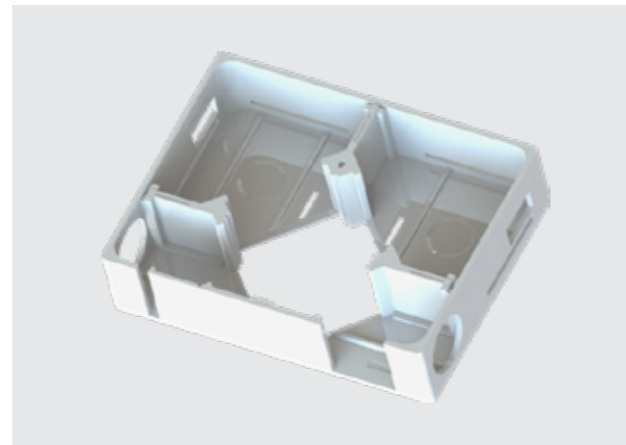
Durable appearance design

- Anticorrosive, beautiful, durable
- Excellent anti-corrosion performance
- Metallic texture



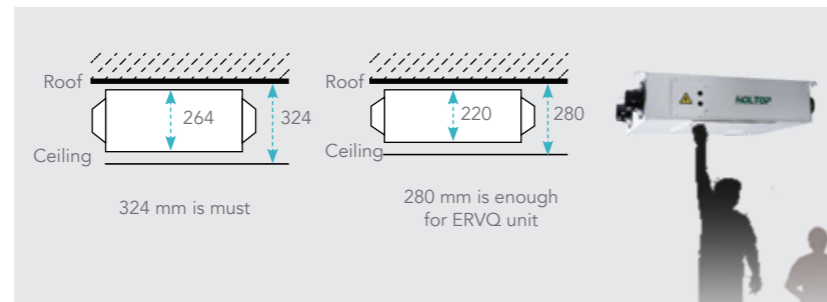
EPS structure

- Integrated EPS for good insulation and air tightness.
- No condensation.
- Light weight, heat preserve, silent, environmental friendly, no odor
- EPS is a high polymer material widely used for building insulation, floor heating, refrigeration, industrial casting and other industries.



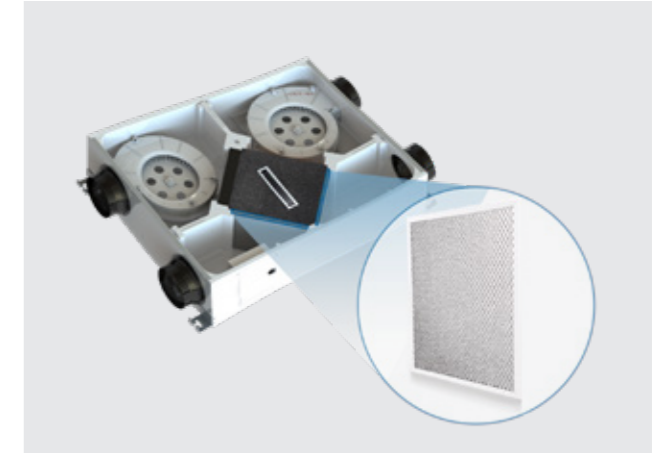
Supper slim body design

Eco-vent pro ventilators are designed specially for the projects which have very strict ventilator height requirement, compared with the traditional congeneric products, eco-vent pro height is 20% off. Access door is at the bottom so maintenance is much easier.



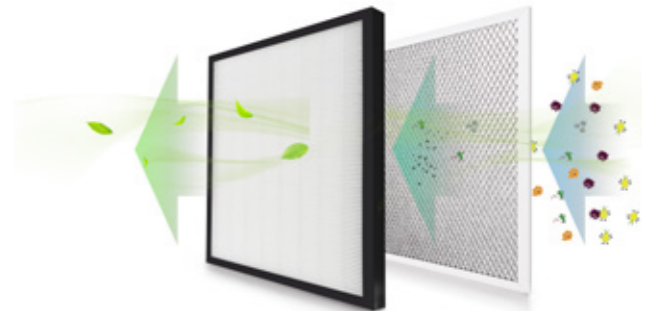
New primary filter

New primary filter is made of aluminium alloy frame and rubber filtration materials with nicer appearance and longer service life.



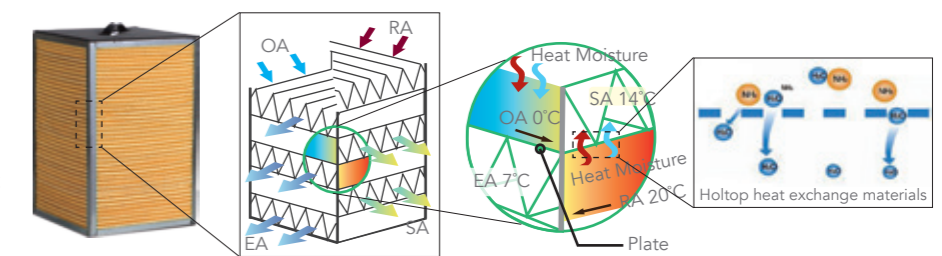
Sub-HEPA F9 filter integrated optional

Optional sub HEPA F9 filter, particle diameter under 2.5µm can be filtered effectively, IAQ (indoor air quality) will be increased obviously.



High efficiency temperature and humidity recovery

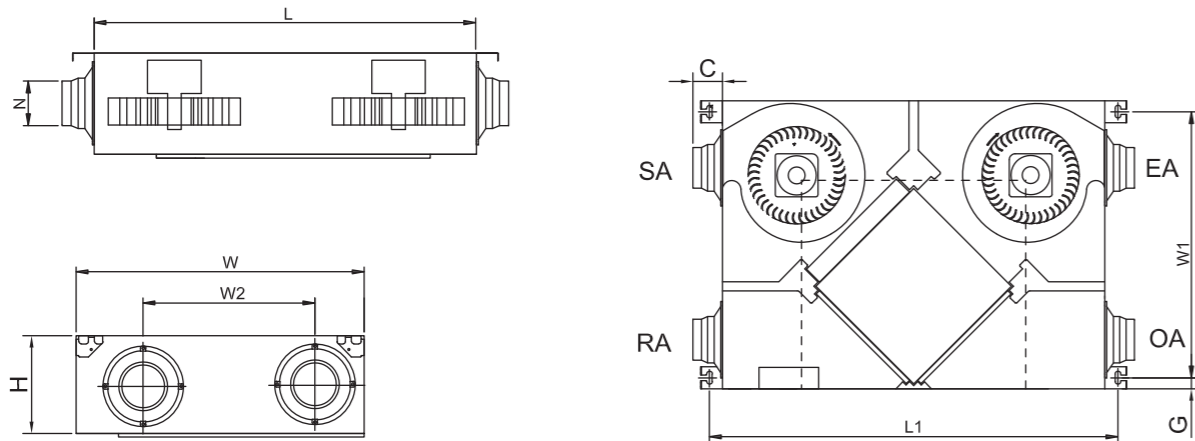
Holtop crossflow enthalpy exchanger is built in the full eco-vent pro series ERV, heat recovery efficiency up to 82% in winter, the allowance of moisture exchange between fresh air and exhaust air make a comfortable indoor temperature and humidity.



Specifications

Model	Fan Speed	Airflow (m ³ /h)	External pressure (Pa)	Enthalpy Eff.(%)		Temp. Eff. (%)	Noise dB(A)	Current (A)	Input power (W)	Volt. (V)	N. W. (Kg)
				Summer	Winter						
ERVQ-D150-2A1 ERVQ-D150-2B1	L	120	45	61	75	82	23	0.45	93	220	29
	M	150	70	59	73	80	31	0.46	98		
	H	150	90	59	73	80	31.5	0.47	102		
ERVQ-D250-2A1 ERVQ-D250-2B1	L	210	35	57	70	75	26.5	0.58	123	220	32
	M	250	50	55	68	73	33.5	0.60	148		
	H	250	100	55	68	73	34	0.71	150		
ERVQ-D350-2A1 ERVQ-D350-2B1	L	240	40	62	73	81	31	0.97	209	220	42
	M	350	110	57	68	76	36.5	1.05	230		
	H	350	130	57	68	76	37	1.07	233		

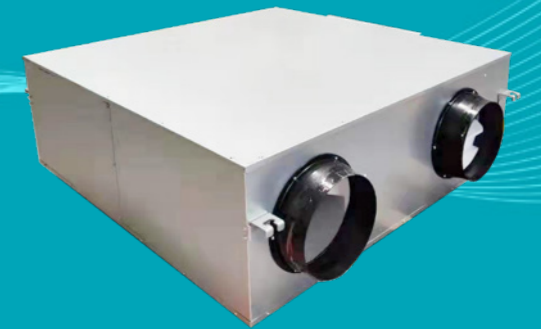
Dimensions



Model	L	L1	W	W1	W2	H	H1	C	G	N
ERVQ-D150-2A1 ERVQ-D150-2B1	860	920	685	618	405	220	-	70	26	Ø98
ERVQ-D250-2A1 ERVQ-D250-2B1	930	990	700	633	425	220	-	70	26	Ø144
ERVQ-D350-2A1 ERVQ-D350-2B1	1070	1130	820	753	550	230	-	70	26	Ø144



ERVQ-D500-2D2~ERVQ-D10H-2D2



ERVQ-D500-2C2~ERVQ-D10H-2C2



Fresh air supply



Stale air exhaust



Physical filtering



Energy recovery



EPS structure



Durable



Good insulation



Easy access



Silent operation



Bypass function



Energy saving



Smart control



Filter alarm



Central control

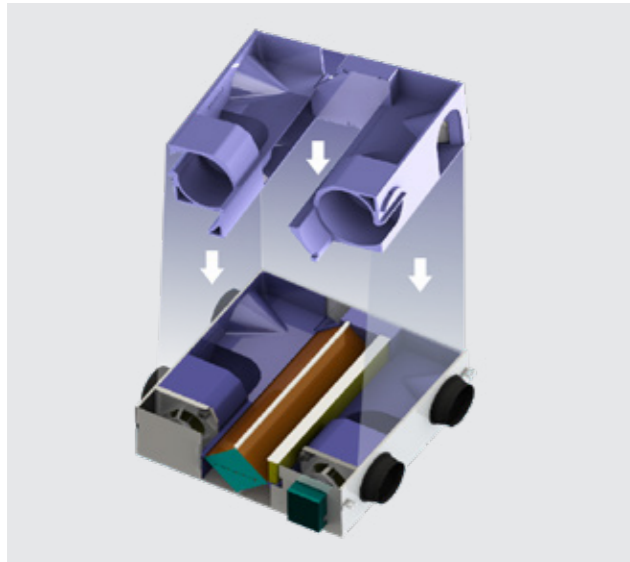


IAQ monitor



Good thermal insulation

The whole series are intergrated with EPS structure, effectively preventing condensation, and improving thermal insulation and saving energy consumption.



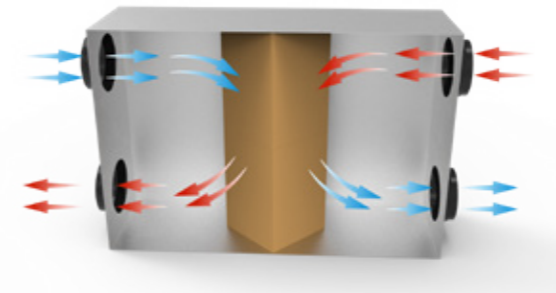
New primary filter

New primary filter is made of aluminium alloy frame and rubber filtration materials with nice appearance and longer service life.



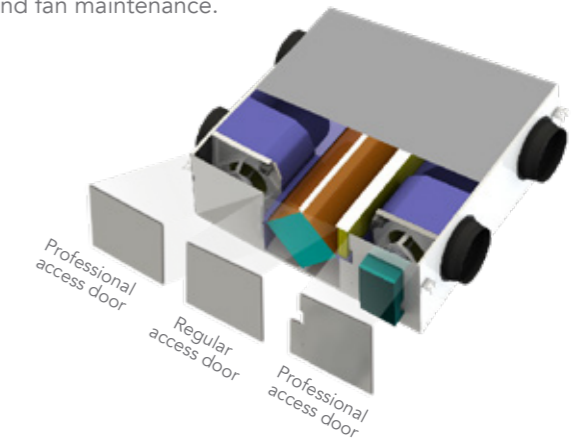
New compact structure

New airflow channels are to increase heat exchange surface and improve energy recovery efficiency.



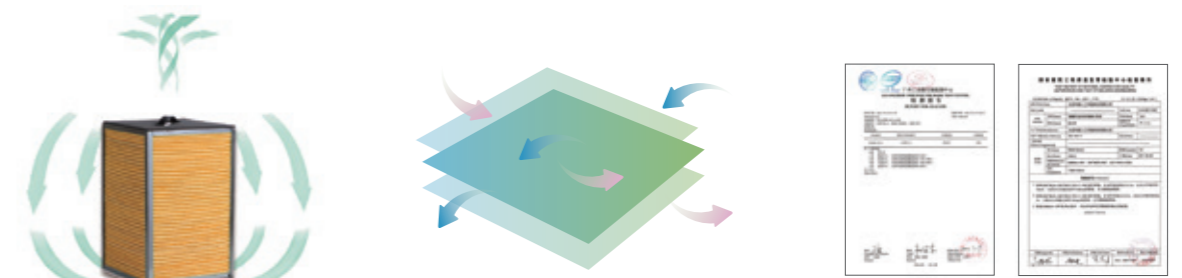
Easy maintenance

- Regular access door is for maintenance of primary filter, PM2.5 filter and heat exchangers.
- Increase two professional access doors for the control and fan maintenance.



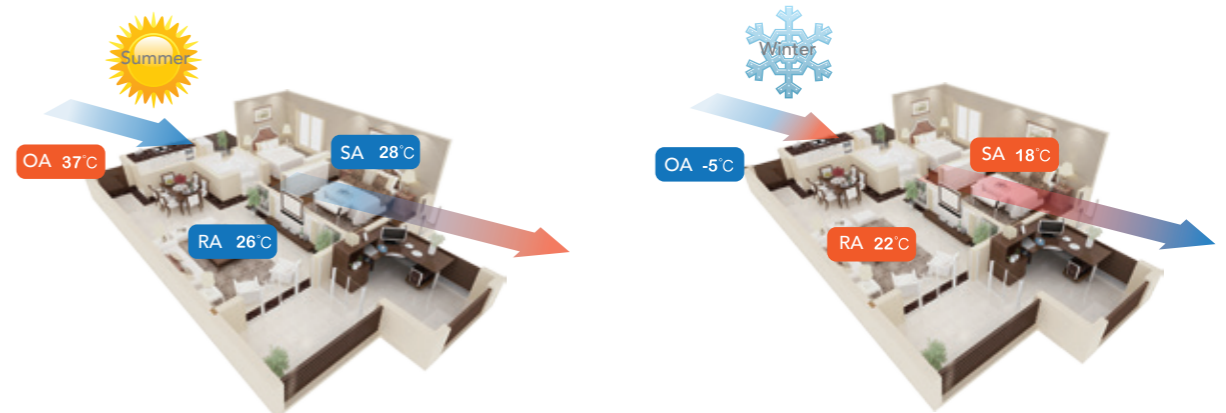
Higher efficiency with 3rd generation enthalpy exchanger

The 3rd generation enthalpy exchanger is made of the latest nanofiber structure to ensure higher efficiency. The heat exchange materials are mildew resistance and fire retardance.



Sub-HEPA F9 filter integrated optional

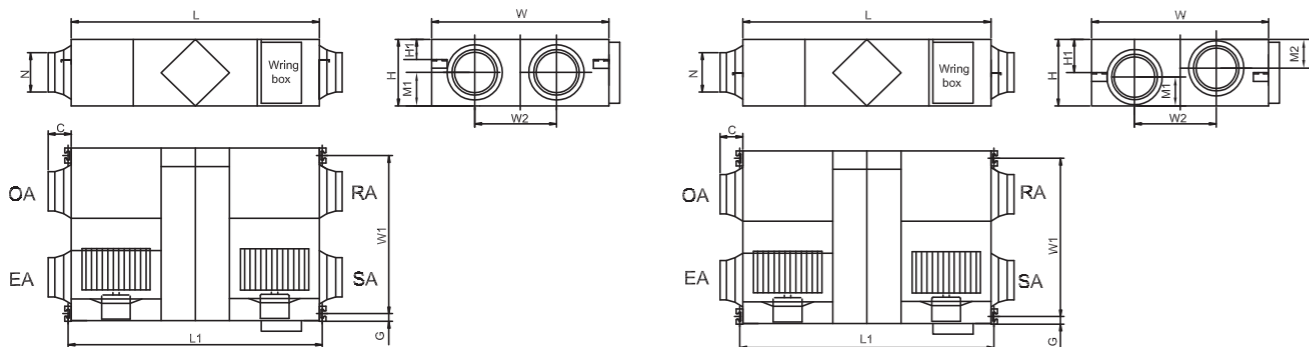
Optional sub HEPA F9 filter, particle diameter under 2.5µm can be filtered effectively, IAQ (indoor air quality) will be increased obviously.



Specifications

Model	Fan Speed	Airflow (m³/h)	External pressure (Pa)	Enthalpy Eff.(%)		Temp. Eff. (%)	Noise dB(A)	Current (A)	Input power (W)	N. W. (Kg)	Remarks
				Summer	Winter						
ERVQ-D500-2D2	L	400	110	72	75	81	29	0.96	200	34	Without PM2.5 filters
	M	500	130	63	67	76	35				
	H	500	140	63	67	76	39				
ERVQ-D650-2D2	L	550	120	67	71	82	37	2	420	53	
	M	650	150	60	65	74	40				
	H	650	160	60	65	74	43				
ERVQ-D800-2D2	L	680	130	71	73	82	45	2.1	450	61	
	M	800	160	63	65	80	49				
	H	800	170	63	65	80	49				
ERVQ-D10H-2D2	L	840	169	68	72	80	50	3.2	630	71	
	M	1000	184	60	62	78	52				
	H	1000	200	60	62	78	52				
ERVQ-D500-2C2	L	400	100	72	75	81	29	0.96	200	34	With PM2.5 filter
	M	500	120	63	67	76	35				
	H	500	130	63	67	76	39				
ERVQ-D650-2C2	L	550	110	67	71	82	37	2	420	53	
	M	650	140	60	65	74	40				
	H	650	150	60	65	74	43				
ERVQ-D800-2C2	L	680	120	71	73	82	45	2.1	450	61	
	M	800	150	63	65	80	49				
	H	800	160	63	65	80	49				
ERVQ-D10H-2C2	L	840	159	68	72	80	50	3.2	630	71	
	M	1000	174	60	62	78	52				
	H	1000	190	60	62	78	52				

Dimensions



ERVQ-D500-2D2~ERVQ-D800-2D2, ERVQ-D500-2C2~ERVQ-D800-2C2

ERVQ-D10H-2D2, ERVQ-D10H-2C2

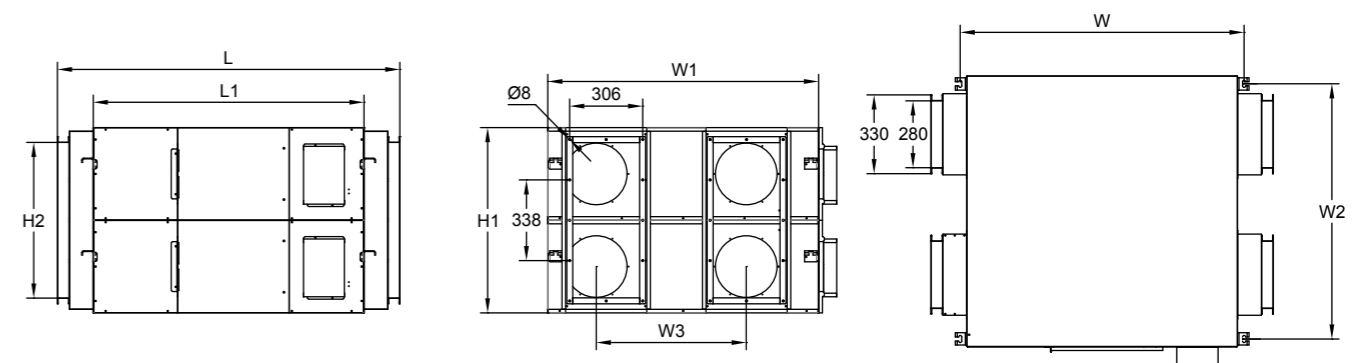
Model	L	L1	W	W1	W2	H	H1	C	G	M1	M2	N
ERVQ-D500-2D2, ERVQ-D500-2C2	867	922	902	833.5	451.5	280	115.5	107	26	139.5	/	Ø194
ERVQ-D650-2D2, ERVQ-D650-2C2	1134	1189	884	818	378	388	128	85	26	194	/	Ø242
ERVQ-D800-2D2, ERVQ-D800-2C2	1134	1189	1134	1068	628	388	128	85	26	194	/	Ø242
ERVQ-D10H-2D2, ERVQ-D10H-2C2	1193	1248	1243	1173	629.5	388	133	85	26	139.5	241	Ø242

Specifications





Model	Fan Speed	Airflow (m³/h)	External pressure (Pa)	Enthalpy Eff.(%)		Temp. Eff. (%)	Noise dB(A)	Current (A)	Input power (W)	N. W. (Kg)	Remarks	
				Summer	Winter							
ERVQ-D15H-2D2	L	1200	92	71	73	80	39	4	840	106	Without PM2.5 filters	
	M	1500	96	63	65	74	41					
	H	1500	100	63	65	74	44					
ERVQ-D20H-2D2	L	1600	80	68	72	80	50	4.2	900	122		
	M	2000	85	60	62	76	52					
	H	2000	86	60	62	76	52					
ERVQ-D15H-2C2	L	1200	82	71	73	80	39	4	840	106		With PM2.5 filter
	M	1500	86	63	65	74	41					
	H	1500	90	63	65	74	44					
ERVQ-D20H-2C2	L	1600	70	68	72	80	50	4.2	900	122		
	M	2000	75	60	62	76	52					
	H	2000	76	60	62	76	52					

Dimensions



Model	L	L1	W	W1	W2	W3	H1	H2
ERVQ-D15H-2D2, ERVQ-D15H-2C2	1434	1134	1189	884	818	378	776	280
ERVQ-D20H-2D2, ERVQ-D20H-2C2	1434	1134	1189	1134	1068	628	776	280

Standard Controller

	 HDK-19V-E	 HDK-19S-E
Standard controller		
Suitable models	ERVQ-D150~D350-2A1, ERVQ-D500~D10H-2C2	ERVQ-D150~D350-2B1, ERVQ-D500~D10H-2D2
Temperature display	✓	✓
Time display	✓	✓
Day display	✓	✓
Weekly timer	✓	✓
Speed selection	✓	✓
Auto/Manual mode selection	✓	✓
Bypass	✓	✓
Filter alarm	✓	✓
Lock screen function	✓	✓
Indoor air quality monitor	✓	✗
RS485 connector	✓	✓

Intelligent Controller

	 HDK-CK-20	 LH-12100	 10307
Intelligent control			
Type	Black cool intelligent control		Advanced intelligent control
Suitable series	ERVQ-D500~D10H-2C2 ERVQ-D500~D10H-2D2	ERVQ-D150~D350-2A1 ERVQ-D150~D350-2B1	ERVQ-D500~D10H-2C2 ERVQ-D150~D350-2A1 ERVQ-D500~D10H-2D2 ERVQ-D150~D350-2B1
Temperature display	OA/RA/SA/FR temp.		OA/RA/SA/FR temp.
10 speed	✓	✓	✓
Weekly timer	✓	✓	✓
Bypass	Auto	✗	Auto
External ON/OFF	✓	✓	✓
Comfortable heater control	✓	✓	✓
Defrosting	✓	✓	✓
CO ₂ control	✓	✓	✓
Filter alarm	✓	✓	✓
Fault alarm	✓	✓	✓
Data memory	✓	✓	✓
Night free cooling	✓	✗	✓
BMS integration	✓	✓	✓
Humidity control	✓	✓	✓
Defrosting heater control	✓	✓	✓
Working condition monitor	✓	✓	✓
Sleep mode	✓	✗	✗
Wifi function	✗	✓	✓

*The MOQ for intelligent controller LH-12100 and 10307 is 100pcs.



■ Monitoring indoor air quality

Monitor local weather, temperature, humidity, CO₂ concentration, VOC at your hand for healthy living.

■ Variable setting

Timely switch, speed settings, bypass/timer/filter alarm/temperature setting.

■ Optional language

Different language English/French/Italian/Spanish and so on to meet your requirement.

■ Group control

One APP can control multiple units.

