



HEAT&ENERGY RECOVERY VENTILATOR

Energy Recovery Ventilation Specialist

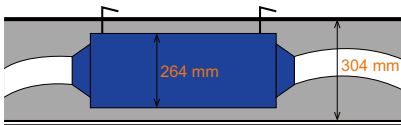


Beijing Holtop Artificial Environment Technology Co., Ltd



Slim design and construction

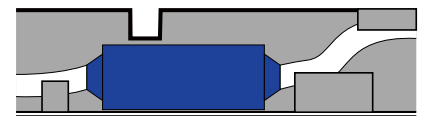
The slim design of ERV enables it to be mounted in narrow ceiling voids and irregularly shaped spaces.



Installation under the floor of a small building



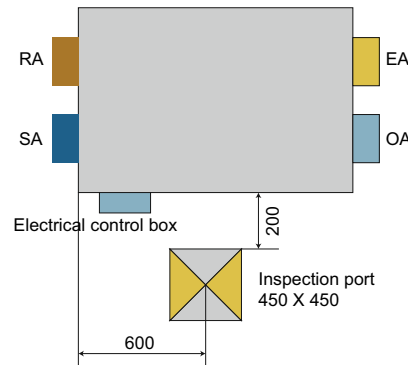
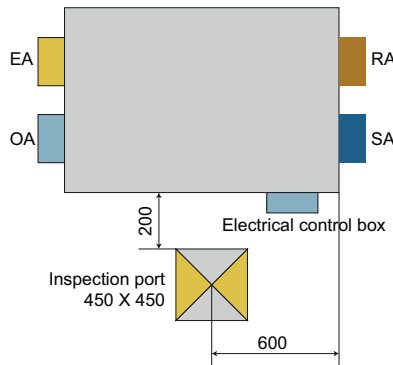
Installation under a beam



Installation in an irregular space

Easy installation and maintenance

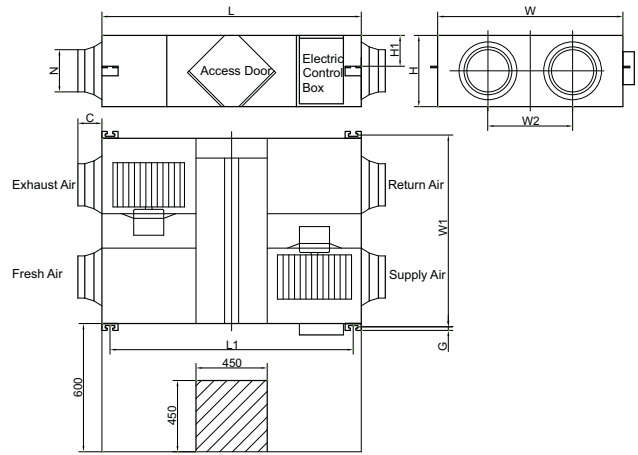
The unit can be installed either horizontally or upside down in accordance with the conditions of location. A 450mm square inspection port enables filters and heat exchangers maintenance to be performed with ease.



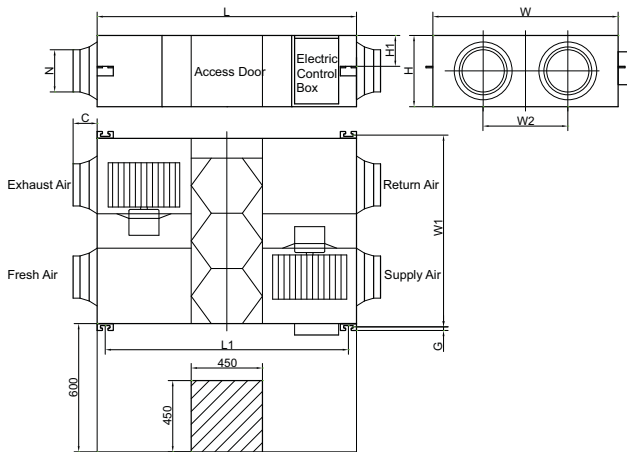
Technical Parameters

Model	Rated air flow m ³ /h	Rated E.S.P Pa	Enthalpy eff.		Temperature eff. %	Noise dB(A)	Voltage V/ph/Hz	Power input W	Weight kg
			Cooling %	Heating %					
XHBQ-D1.5DCTPA	150	75	63	70	75	23	220/1/50	51	25
XHBQ-D2.5DCTPA	250	85	63	70	75	24	220/1/50	81	29
XHBQ-D3.5DCTPA	350	90	66	69	75	28	220/1/50	112	37
XHBQ-D5DCTPA	500	100	62	67	75	30	220/1/50	143	43
XHBQ-D6.5DCTPA	650	70	62	68	75	32	220/1/50	205	64
XHBQ-D8DCTPA	800	120	65	71	75	35	220/1/50	290	71
XHBQ-D10DCTPA	1000	85	65	71	75	35	220/1/50	305	83
XHBQ-D15DCTPA	1500	75	65	71	75	38	220/1/50	580	165
XHBQ-D20DCTPA	2000	60	65	71	75	38	220/1/50	610	189

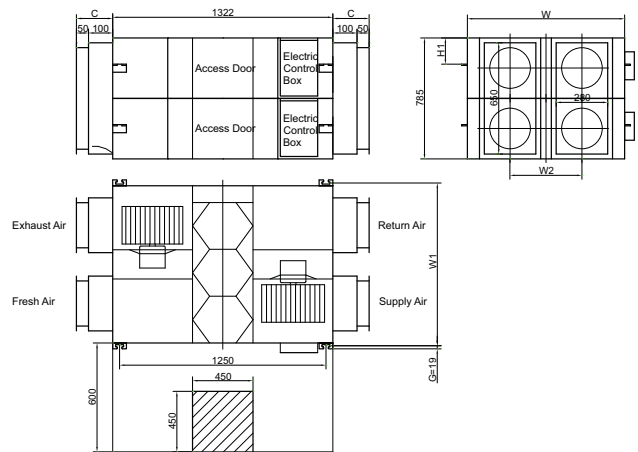
Dimensions



D1.5DCTPA-D5DCTPA



D6.5DCTPA-D10DCTPA



D15DCTPA-D20DCTPA

Unit: mm

Model	L	L1	W	W1	W2	H	H1	C	G	N
XHBQ-D1.5DCTPA	808	867	580	510	290	264	20	100	19	∅ 144
XHBQ-D2.5DCTPA	882	810	599	657	315	270	111	100	19	∅ 144
XHBQ-D3.5DCTPA	882	810	804	860	480	270	111	100	19	∅ 144
XHBQ-D5DCTPA	962	890	904	960	500	270	111	107	19	∅ 194
XHBQ-D6.5DCTPA	1222	1150	884	940	480	340	146	107	19	∅ 194
XHBQ-D8DCTPA	1322	1250	884	940	428	388	170	85	19	∅ 242
XHBQ-D10DCTPA	1322	1250	1134	1190	678	388	170	85	19	∅ 242
XHBQ-D15DCTPA	1322	1250	884	940	428	785	-	-	-	-
XHBQ-D20DCTPA	1322	1250	1134	1190	678	785	-	-	-	-